



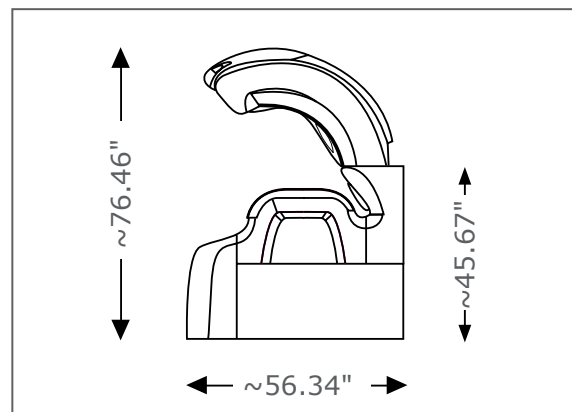
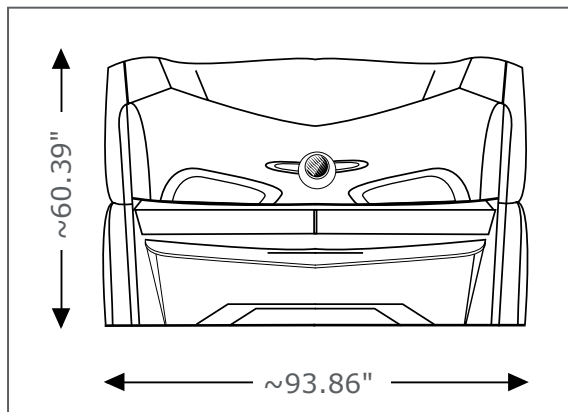
6700 Alpha

Power consumption:	14 kW
Weight:	~1367 lbs (with air conditioning)
Bench pane:	330 lbs (max. load capacity)
Electrical requirements	
Power connection:	rear side left
Protective class:	IP20
Mains voltage:	3-phase: 3 x 220 V / ~ / 60 Hz
Wire cross section:	3-phase: 4 x AWG6
Circuit breaker recommended:	3-phase: 3 x 50 A For Canada all tanning devices with Class-A ground fault circuit interrupter GFCI.
Central exhaust air discharge	
Fan:	Exhaust-air socket Ø ~11.81 inch - Height to top ~82.48 inch
Minimum exhaust air flow rate:	594400 gal/hour
Exhaust-air hose:	Ø ~11.81 inch

Dimensions

Dimensions in mm

(Height x width x depth):
 ~60.39" x ~93.70" x ~56.30" (closed)
 ~76.46" x ~93.70" x ~56.30" (open)



© Copyright 2019 KBL GmbH, Germany.

Errors and omissions excepted. KBL GmbH reserves the right to change technical data or specifications without notice.

Contraindication: This product is contraindicated for use on persons under the age of 18 years. "Contraindication: This product must not be used if skin lesions or open wounds are present." "Warning: This product should not be used on individuals who have had skin cancer or have a family history of skin cancer." "Warning: Persons repeatedly exposed to UV radiation should be regularly evaluated for skin cancer.