



5600 Alpha

Power consumption:	12 kW
Weight:	~1256 lbs
Bench pane:	330 lbs (max. load capacity)
Electrical requirements	
Power connection:	rear side left
Protective class:	IP20
Mains voltage:	3-phase: 3 x 220 V / ~ / 60 Hz
Wire cross section:	3-phase: 4 x AWG8
Circuit breaker recommended:	3-phase: 3 x 40 A For Canada all tanning devices with Class-A ground fault circuit interrupter GFCI.

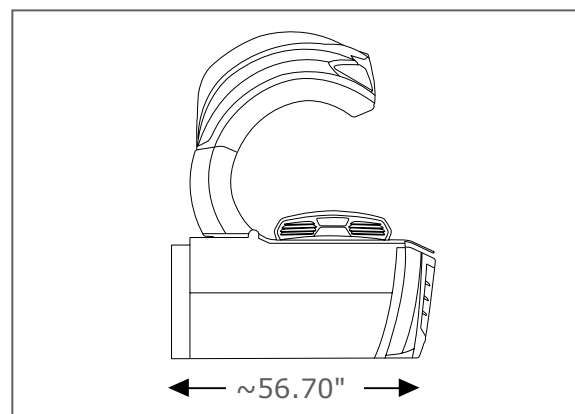
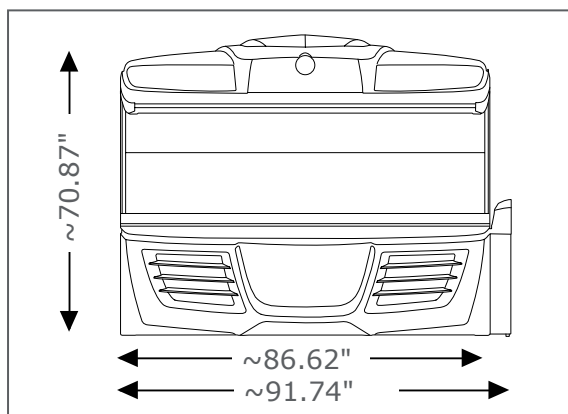
Central exhaust air discharge

Fan:	Exhaust-air socket Ø ~11.81 inch - Height to top ~70.8 inch (with and without hot air recirculation)
Minimum exhaust air flow rate:	594400 gal/hour
Exhaust-air hose:	Ø ~11.81 inch

Dimensions

Dimensions in mm

(Height x width x depth):	~58.27 x ~91.74 x ~63.39 (when closed) ~70.87 x ~91.74 x ~56.70 (when open)
---------------------------	--



© Copyright 2019 KBL GmbH, Germany.

Errors and omissions excepted. KBL GmbH reserves the right to change technical data or specifications without notice.

Contraindication: This product is contraindicated for use on persons under the age of 18 years. "Contraindication: This product must not be used if skin lesions or open wounds are present." "Warning: This product should not be used on individuals who have had skin cancer or have a family history of skin cancer." "Warning: Persons repeatedly exposed to UV radiation should be regularly evaluated for skin cancer.