



# 4800 Alpha

<b>Power consumption:</b>	10 kW
<b>Weight:</b>	~1190 lbs
<b>Bench pane:</b>	330 lbs (max. load capacity)
<b>Electrical requirements</b>	
<b>Power connection:</b>	rear side left
<b>Protective class:</b>	IP20
<b>Mains voltage:</b>	3-phase: 3 x 220 V / ~ / 60 Hz
<b>Wire cross section:</b>	3-phase: 4 x AWG8
<b>Circuit breaker recommended:</b>	3-phase: 3 x 40 A For Canada all tanning devices with Class-A ground fault circuit interrupter GFCI.

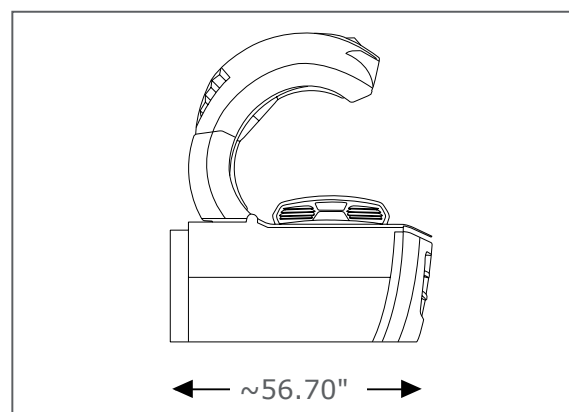
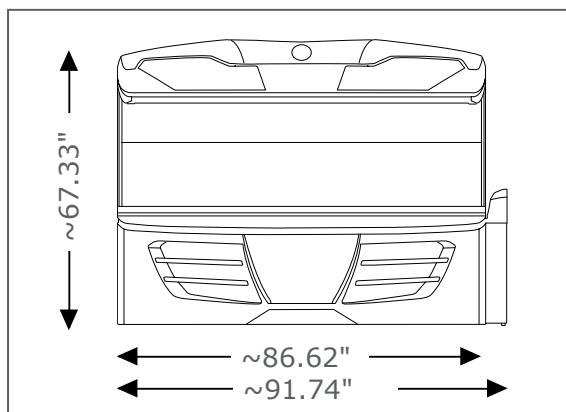
### Central exhaust air discharge

<b>Fan:</b>	Exhaust-air socket Ø ~11.81 inch - Height to top ~61.54 inch (with and without hot air recirculation)
<b>Minimum exhaust air flow rate:</b>	594400 gal/hour
<b>Exhaust-air hose:</b>	Ø ~11.81 inch

### Dimensions

Dimensions in mm

(Height x width x depth):	~53.94 x ~91.74 x ~62.21 (closed) ~67.33 x ~91.74 x ~56.70 (open)
---------------------------	--



© Copyright 2019 KBL GmbH, Germany.

Errors and omissions excepted. KBL GmbH reserves the right to change technical data or specifications without notice.

Contraindication: This product is contraindicated for use on persons under the age of 18 years. "Contraindication: This product must not be used if skin lesions or open wounds are present." "Warning: This product should not be used on individuals who have had skin cancer or have a family history of skin cancer." "Warning: Persons repeatedly exposed to UV radiation should be regularly evaluated for skin cancer."